


Installing Optional Torque Reaction Kit

A torque reaction kit that mounts to the calibrator is required for all tightening tools with reaction arms. See Figure 3. Torque reaction kits can be purchased from Skidmore-Wilhelm. Please contact us to determine the proper kit for your application.

 **Caution: Reacting against an object other than the torque reaction kit can damage the calibrator and/or cause personal injury. Keep hands away from pinch points during tightening operations.**

Install the torque reaction kit per the instructions supplied with the kit. Make sure to also follow the wrench manufacturer's operating and safety instructions.

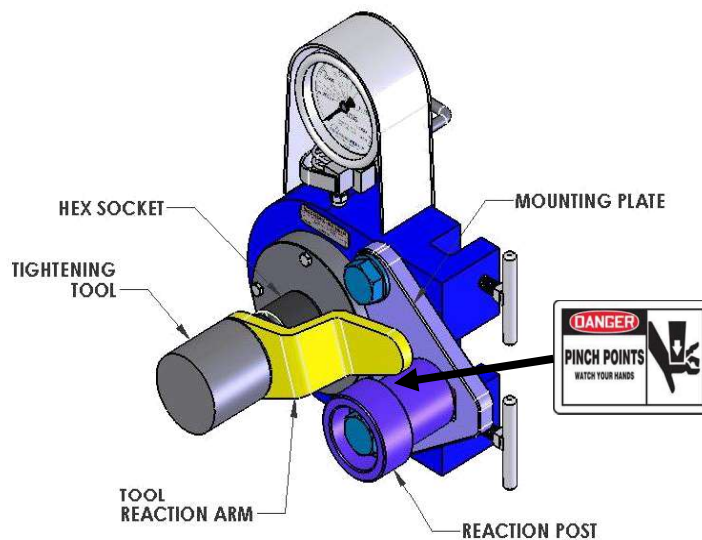


Figure 3, Typical Setup of Torque Reaction Kit