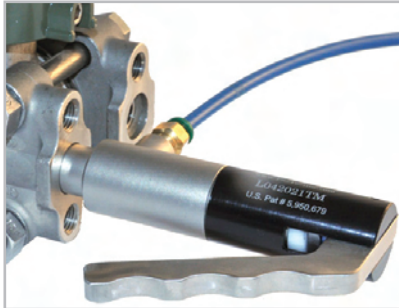
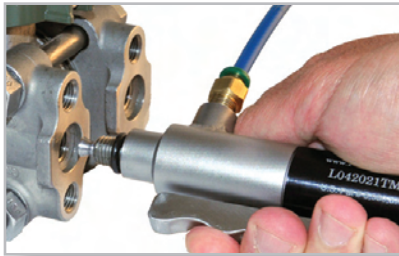
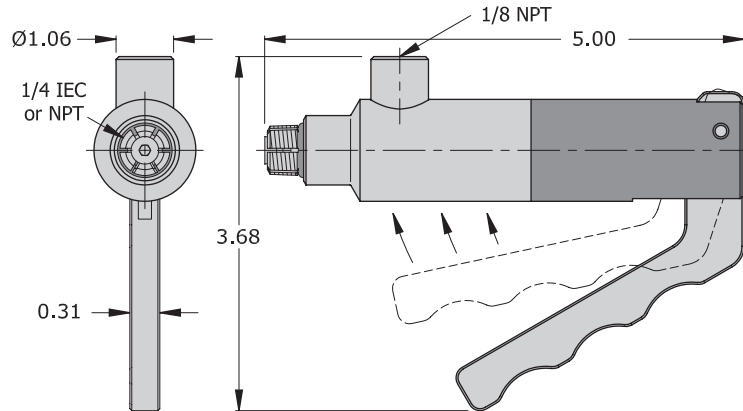


FasCal - Lever Actuated for 1/4" IEC Transmitter Ports and 1/4" NPT



FasTest lever actuated connectors are an ideal method for fast, safe and repeatable connections to all types of transmitters. Simply squeeze the lever and insert into 1/4" threaded port; release lever for an instant leak tight and high pressure connection.

- Compatible to 1/4" NPT and 1/4" (IEC 61518) 2.126 (54) process flange ports
- Instant connections to 5000 psi eliminates tape, sealants and wrenches
- No damage to threaded parts



Part Number	Thread Size	Rating PSI	Housing Material	Seal Material	Main Seals Package (5)
L042021TM	1/4" NPT	5000	Stainless Steel	Buna N	SL042-B

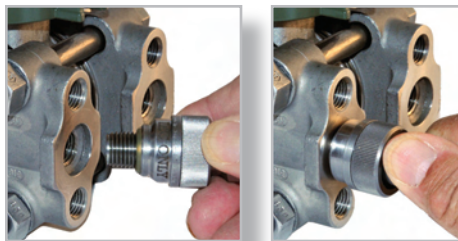
Notes:

Optional seal materials available are FKM (Viton) and EPDM.

Examples: L042021TMV = FKM

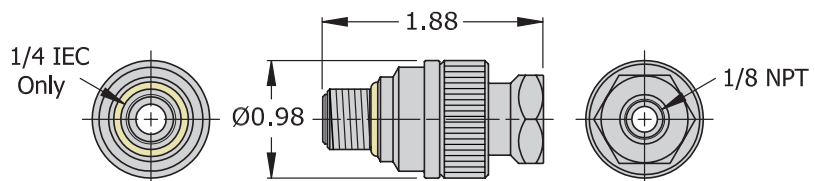
L042021TME = EPDM

FasCal - "Twist to Connect" Connectors for 1/4" IEC Transmitter Ports



TwistMates unique "twist to connect" and pressure assisted grip and seal delivers fast, safe and repeatable connections. The connector's internal swivel also allows easy installation while plumbed (connected) to a supply line. Simply twist the connector to finger tight for an instant leak tight and high pressure connection.

- Compatible to 1/4" (IEC 61518) 2.126 (54) process flange ports
- Instant connections to 5000 psi eliminates tape, sealants and wrenches
- No damage to threaded parts



Part Number	Thread Size	Rating PSI	Housing Style	Housing Material	Seal Material	Main Seals Package (5)
MIT-042021TM	1/4" IEC	5000	Swivel	Stainless Steel	Urethane	S1111-U70

Notes:

Optional seal materials available are FKM (Viton) and EPDM.

Examples: MIT-042021TMV = FKM

MIT-042021TME = EPDM